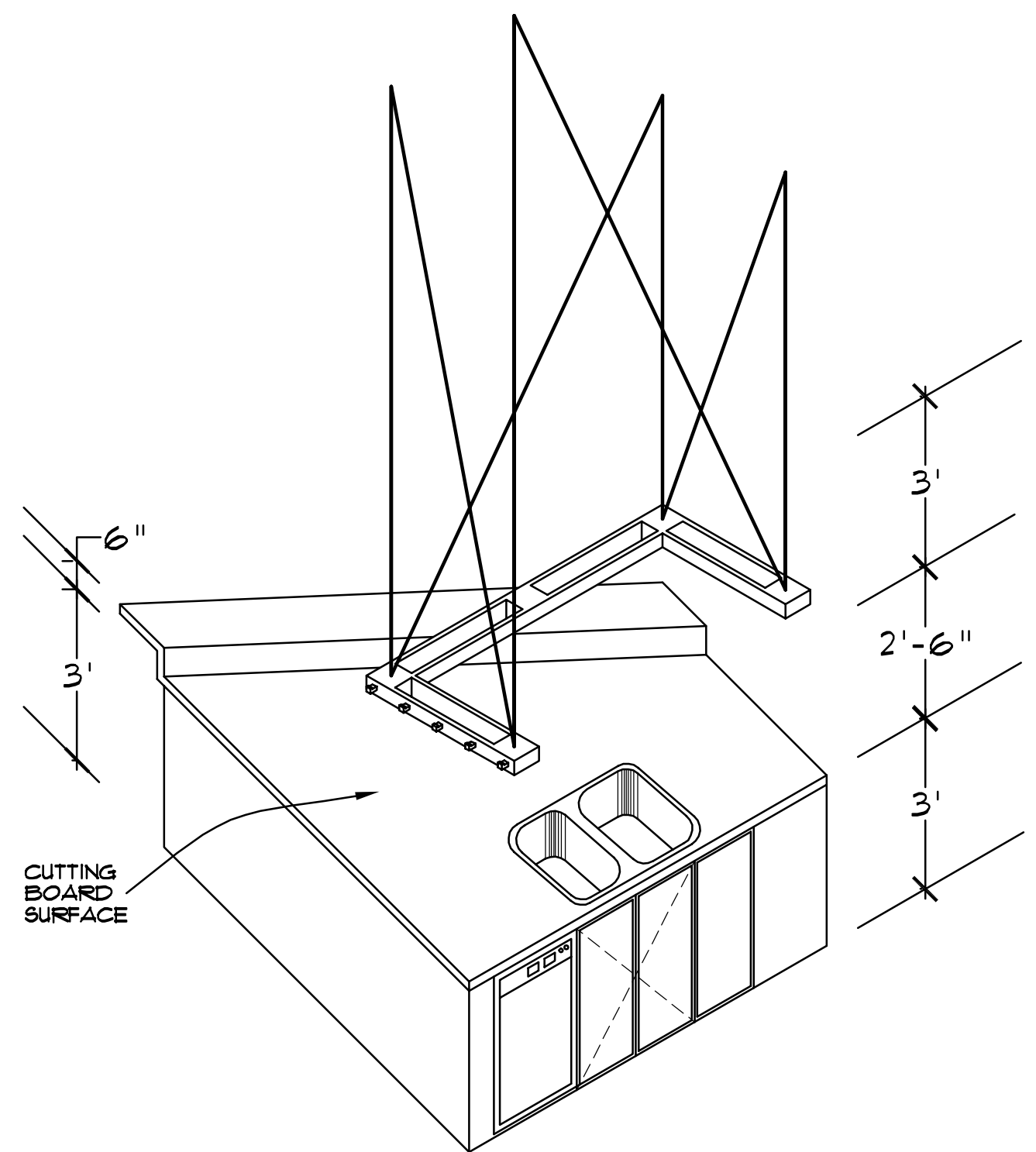
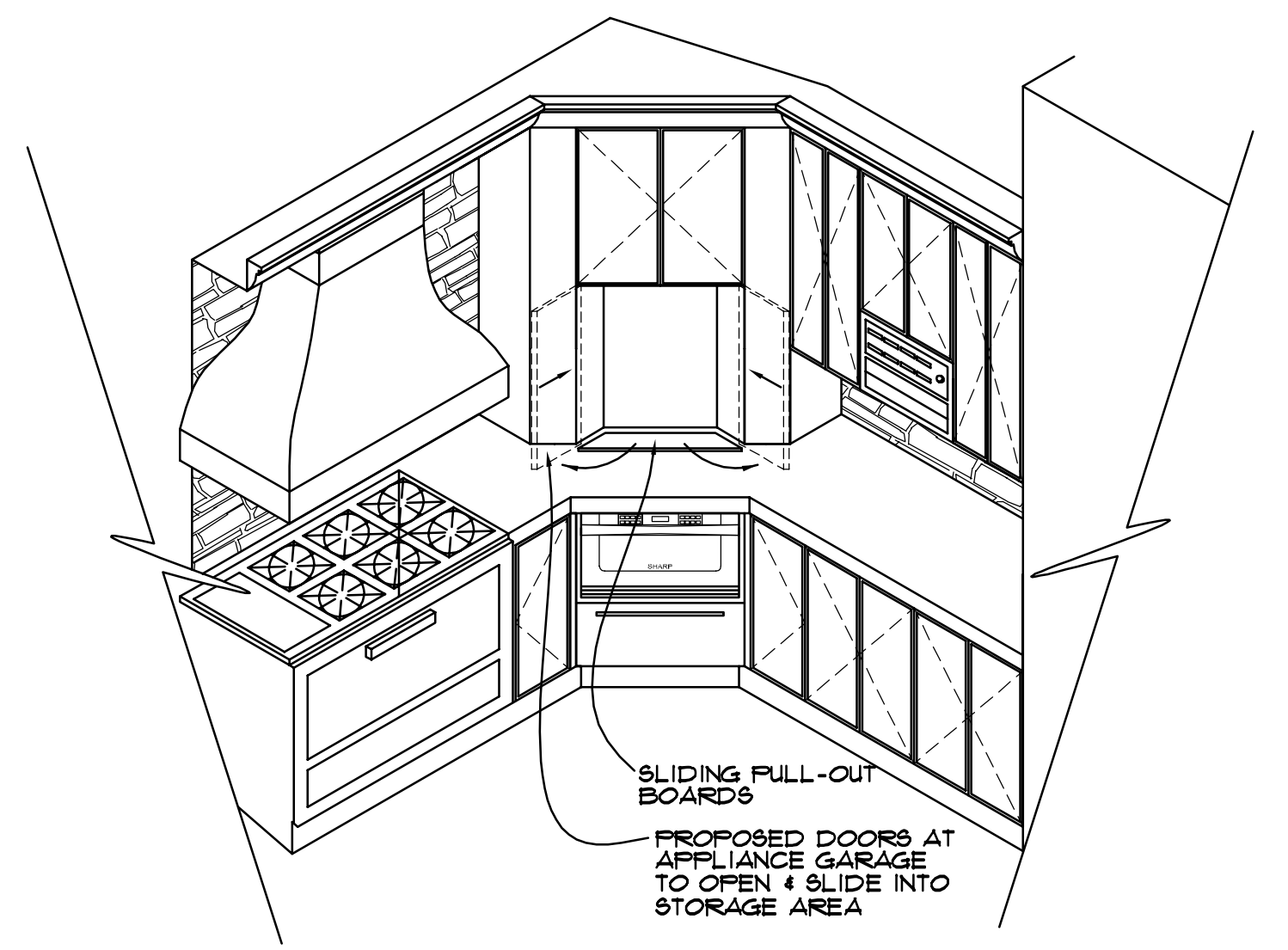


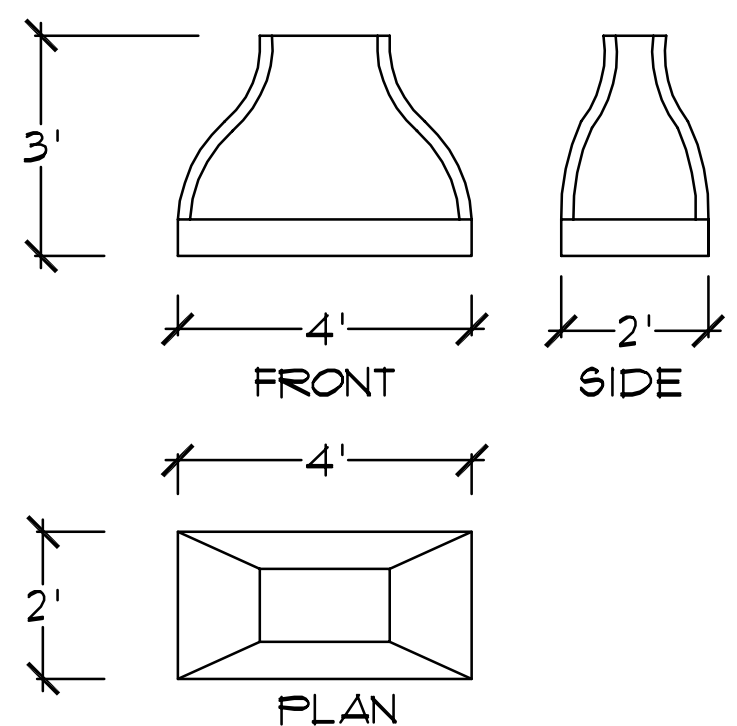
**RACK DETAIL**  
N.T.S.



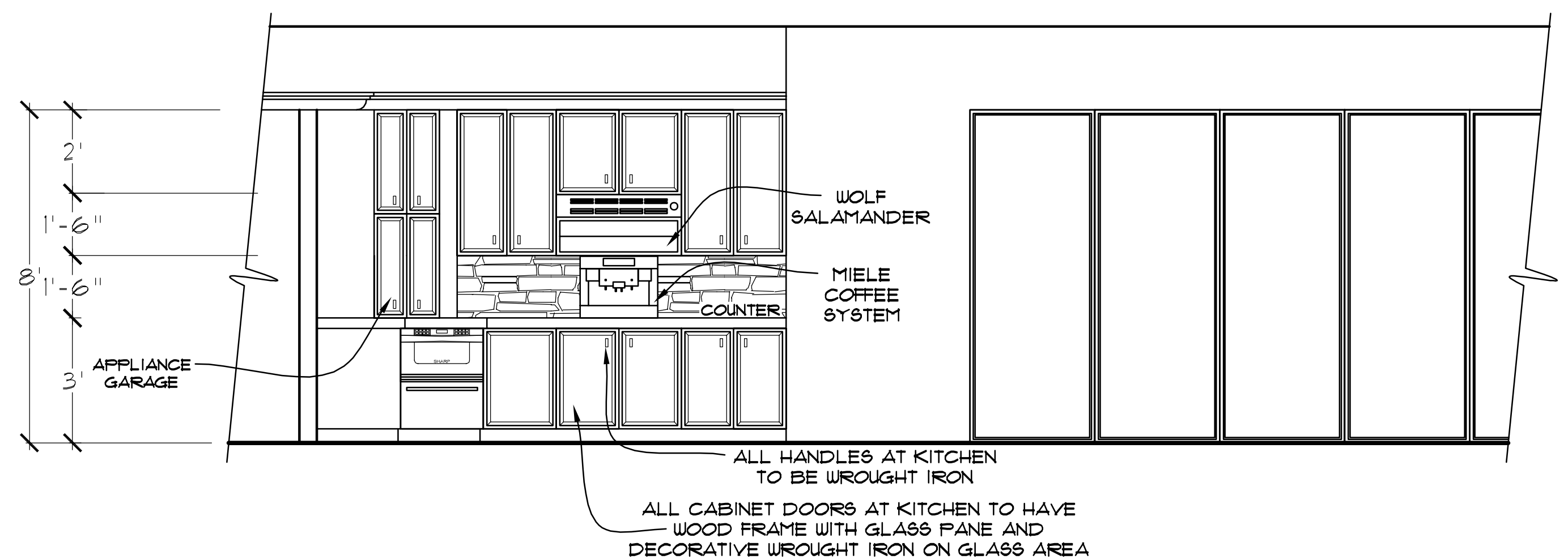
**ISLAND DETAIL**  
N.T.S.



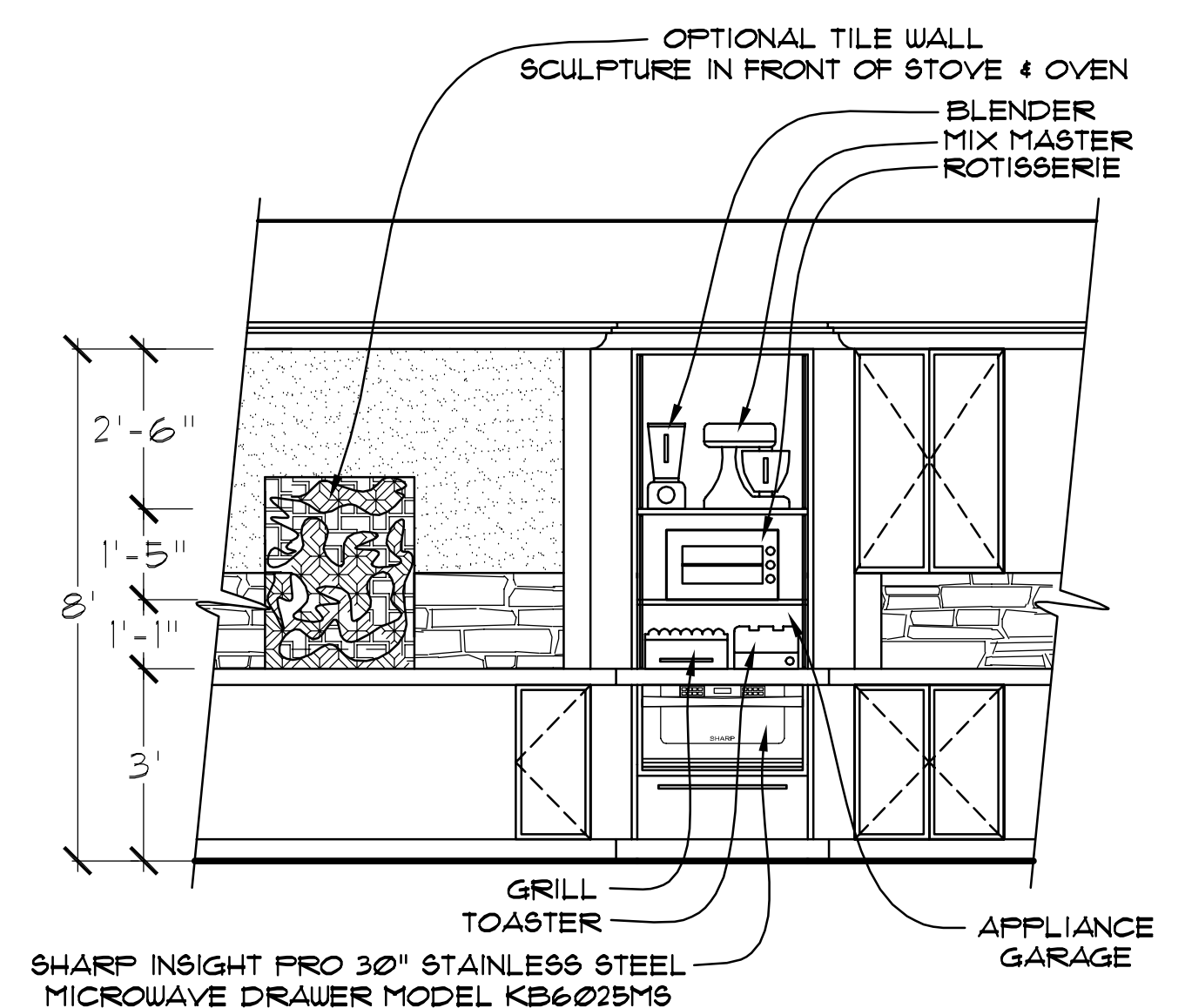
**ISOMETRIC SKETCH OF KITCHEN CORNER**  
N.T.S.



**COPPER HOOD DETAIL**  
N.T.S.



**KITCHEN CABINET DETAIL**  
SCALE: 1/2" = 1'-0"



**KITCHEN CABINET DETAIL**  
SCALE: 1/2" = 1'-0"